



# M2

COMPACT  
POWER  
ALL-WEATHER

inside-outside  
door



# M2 COMPACT POWER ALL-WEATHER



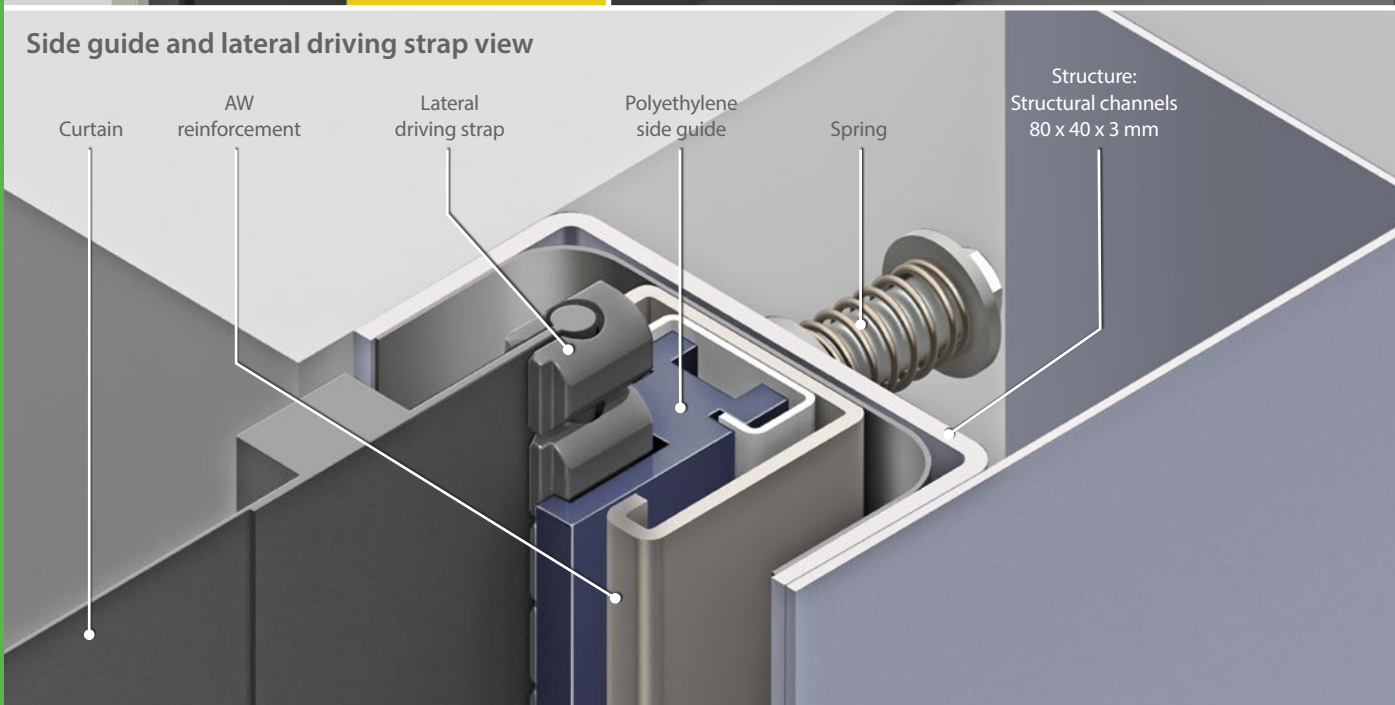
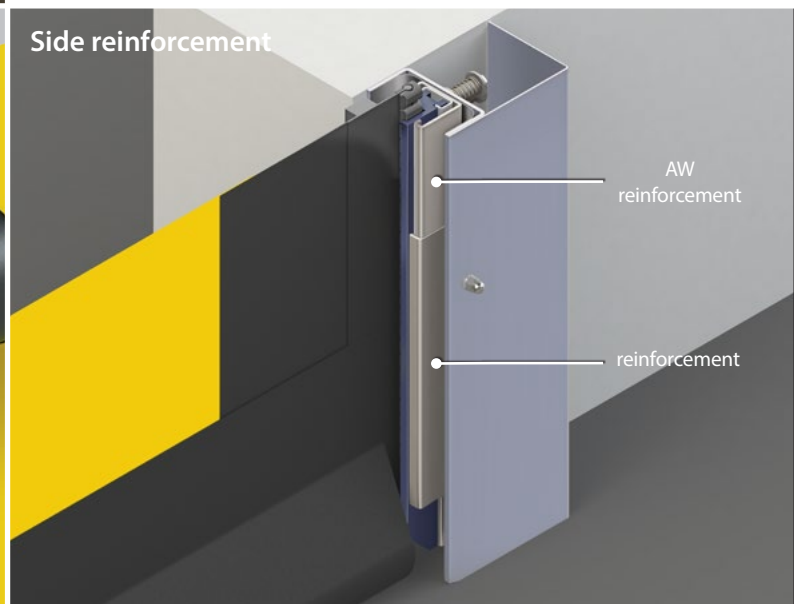
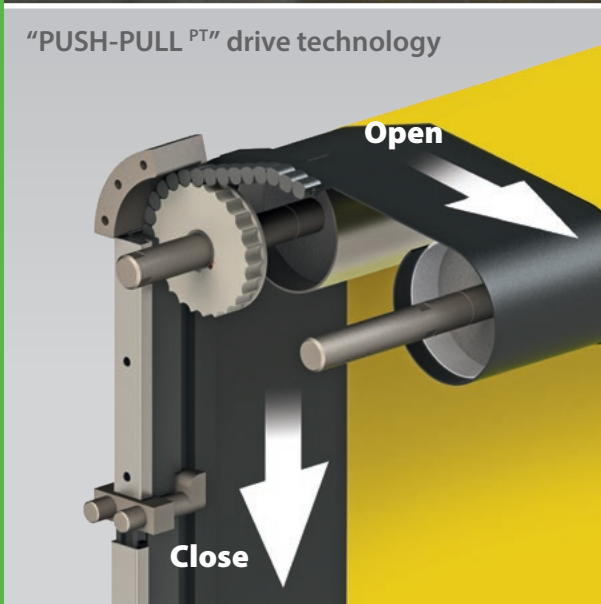
Dynaco was founded in 1987, dedicated to finding a solution for any damages caused by - and to - high-speed roll-up doors. Inspired by flexible pool covers, Dynaco designed the first ever flexible, self-repairing door, known as the Dynaco Classic.

Later, another innovation followed: Dynaco's revolutionary Push-Pull technology, marketed as the "magic" door. Thanks to this continuous innovative approach and passion, Dynaco is known for producing "the most copied door in the world".

The company distributes doors through a network of professionals only, active in 5 continents.

With its most extensive product range in the industry, Dynaco stays always AHEAD. And always operates with the end-user in mind.

**The Dynaco M2 series represents the evolution of our "magic door". Available in Compact (internal), Power and All-Weather versions with different Wind-Class performance, Dynaco M2 is the famous door that can even withstand the air force of a nearby helicopter. With its Push-Pull technology, the Dynaco M2 was designed specifically for very intensive traffic environments and openings exposed to strong wind.**



Both its operating speed and perfect seal improve your traffic flows, while providing employee comfort, environmental control and energy savings.

The absence of rigid elements in the curtain and its soft bottom edge make the Dynaco M2 intrinsically safe. Fully self-reinserting, it will automatically readjust in its side guides whenever the curtain accidentally gets hit.

## Why this is the right door for your business?



### Fully flexible curtain

A fully flexible curtain, without any rigid elements, ensures optimal user safety.



### Wind-resistant

Our doors offer wind-resistant operation, up to wind load class 5. They are equipped with our patented push-pull technology and side frame assembly, without blade or brush systems.



### Energy-saving

All Dynaco high-performance doors are designed to deliver the best possible sealing properties and minimal opening/closing cycle. Their dynamic barrier significantly reduce energy costs.



### Extremely safe

At Dynaco we never compromise on safety. All doors operate according to the highest safety standards, thanks to their soft bottom edge and our self-testing safety devices.



### Temperature control

The high operating speed and excellent seal on our doors allow efficient traffic flow while minimizing temperature variations.



### Reduced maintenance cost

With technical features such as our self-reinserting system, soft bottom edge and our frequency converter technology, Dynaco doors help you keep maintenance at a minimum.



### High Speed

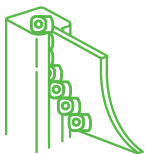
Dynaco doors have an extra fast opening/closing time. The absence of weight in the bottom edge allows Dynaco doors to open and close faster. Our doors will only stay open for the minimum amount of time needed, thus reducing energy losses and contamination hazards.



### Uninterrupted workflow

Our high-performance doors are designed to guarantee continuous operation, no matter the traffic conditions.

## Why Dynaco?



### Automatic self-reinsertion

At Dynaco we invented the crash-forgiving, self-reinserting door. The one and only original. Its curtain automatically reinserts when dislodged, without intervention. This means: no repair costs, nor costly production downtime.



### Push-Pull Technology

Thanks to our patented push-pull technology - our doors' most famous advantage - every Dynaco door closes with a mechanically-driven side guides system, which ensures continuous operation.



### Frequency converter

Dynaco doors operate with the most advanced drive unit in the industry. The combination of a frequency-driven motor and encoder offer smooth operation and reliability. Any wearable elements are reduced to a minimum.



### Dynalobic control box

All doors can be fitted with a touch-screen control unit: our Dynalobic 5 control box. The most user-friendly, self-diagnostic option, which allows for remote control management. It increases efficiency and helps you monitor any door's status. At any time, from any desk.



### Conform to EN norms

All Dynaco doors are completely conform to EN13241-1.



### Certified performance

Performance of all Dynaco doors has been tested and certified by a third-party notifying body.



Dynaco offers a wide range of products for several industrial applications.  
Find out more on [www.dynacodoor.com](http://www.dynacodoor.com).

# M2

COMPACT  
POWER  
ALL-WEATHER

# Always ahead



Dynaco Europe NV  
Waverstraat 21 B-9310 Moorsel-Aalst (Belgium)  
Tel. +32 53 72 98 98 info@dynacodoor.com  
[www.dynacodoor.com](http://www.dynacodoor.com)

#### About Dynaco

Dynaco is the world leader in high speed door technology. It offers state of the art solutions for both commercial and industrial applications, including sectional overhead doors.

Founded in 1987, Dynaco has acquired an extensive expertise in high performance doors. Yet it continues to invest in order to exceed your expectations of quality and performance. A network of certified and dedicated partners ensures an optimal service to customers all over Europe.

Dynaco is part of the ASSA ABLOY Group, the world leader in access solutions. Every day, we help billions of people experience a more open world.